

# CarbonWeb® VMP-C

**CarbonWeb® VMP-C** v-bank mini pleat HEGA (High Efficiency Gas adsorber) is an exceptionally high-quality industrial grade HVAC molecular air filter designed to remove a broad spectrum of organic and inorganic compounds, chlorinated hydrocarbons, and various undesirable odorous gasses.

VMP-C is constructed with a heavy 500 gsm weight media of 100% high activity carbon 20 x 50 fine mesh granules. The extended surface mini-pleat V-bank design optimizes dwell time for adsorption while reducing resistance to air flow. Reducing energy costs and maximizing service life.

HVAC applications typically experience lower concentration levels of molecular contaminants. Adsorption is an effective and economical process to mitigate molecular and odor issues. The heavy weight media and fine mesh carbon provide excellent first pass efficiencies. When properly applied the CarbonWeb VMP-C can eliminate the vast majority of pollution problems caused by gases and vapors found in HVAC systems.



CarbonWeb VMP-C is constructed with a heavy 500gsm High Activity Carbon (HAC) to remove organic odors:

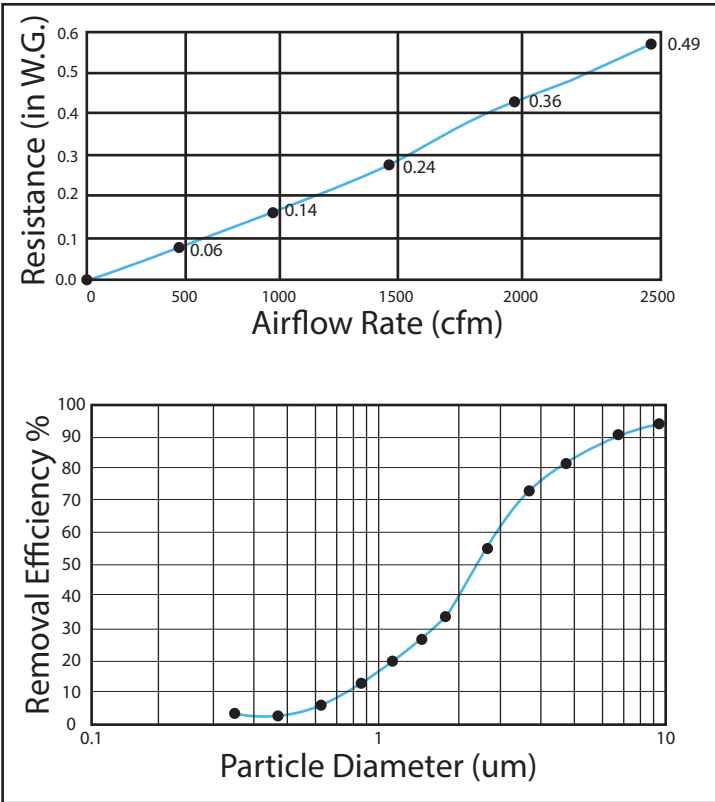
- |                   |                   |
|-------------------|-------------------|
| Greenhouse        | Sewer Gas         |
| Food Odors        | Industrial Plants |
| Forest Fires      | Sports Arenas     |
| Office Space      | Paint Facilities  |
| Hospitals         | Ozone             |
| Sports Facilities | Agricultural      |

Model	Nominal Size	High Activity Carbon	Weight Each	Initial Resistance WC	Initial MERV	Final Resistance WG
<b>CarbonWeb VMP-C</b>				500 FPM		
VMPC-12-100-01	12x24x12	500 gsm	7.5 LBS	0.36"	8	1.5"
VMPC-12-100-06	20x24x12	500 gsm	10.1 LBS	0.36"	8	1.5"
VMPC-12-100-08	24x24x12	500 gsm	11.7 LBS	0.36	8	1.5"

# CarbonWeb® VMP-C

## Performance Data

## Specifications



**Media:** 500 gsm 100% high activity 20 x 50 mesh carbon suspended in a nonwoven matrix.

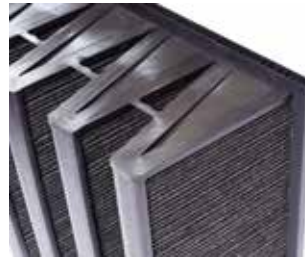
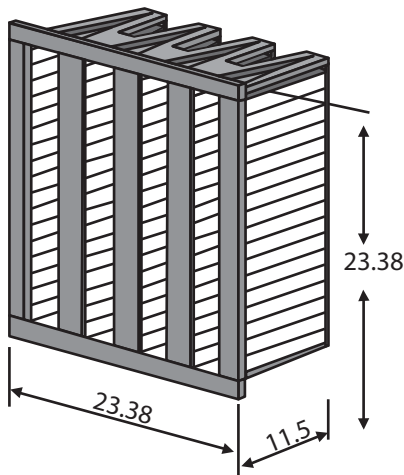
**Frame:** Double walled high strength plastic v-dedign frame for industrial applications with minimum resistance to air flow.

**Sealant:** Media pack shall be bonded to frame utilizing moisture resistant adhesive for continuous seal.

**Gasketing:** Optional premium closed cell neoprene gasketing available.

**Maximum Operating Temp:** 140F.

**Incinerable:** Yes



Engineered Design  
Maximizes Air-Flow and  
Filter Strength

Precision Pleating  
for Optimum  
Surface Area

Industrial Grade Plastic Frame with  
Double Wall Construction



Hospital



Food Odor



Animal Odor



Greenhouse



Industrial



Office



Sewer Gas



Sports Arena

D - Mark  
130 N. Groesbeck Hwy.  
Mt. Clements, MI 48043  
www.dmarkinc.com

RENSA FILTRATION

800-343-3610  
586-949-3610  
F 586-949-4181  
dmark@dmarkinc.com